

RADLOK™ CONNECTOR

Asia Pacific

ChangZhou, China

Tel: +86 519-8981 9713

Email: sales@amphenol-gec.com

Add: No.11 Fengxiang Road, New District,
Changzhou, Jiangsu, China

P.C: 213001

GuangZhou, China

Tel: +86 20-3210 6099

Add: 9th Floor, No.10, the 4th Street, Kehui

North America

Winnipeg, Canada

Tel: +1 204 697 2222

Email: sales@tpil.com

Add: 2110 Notre Dame Avenue

Nogales, Mexico

Tel: +52(55) 5258 9984

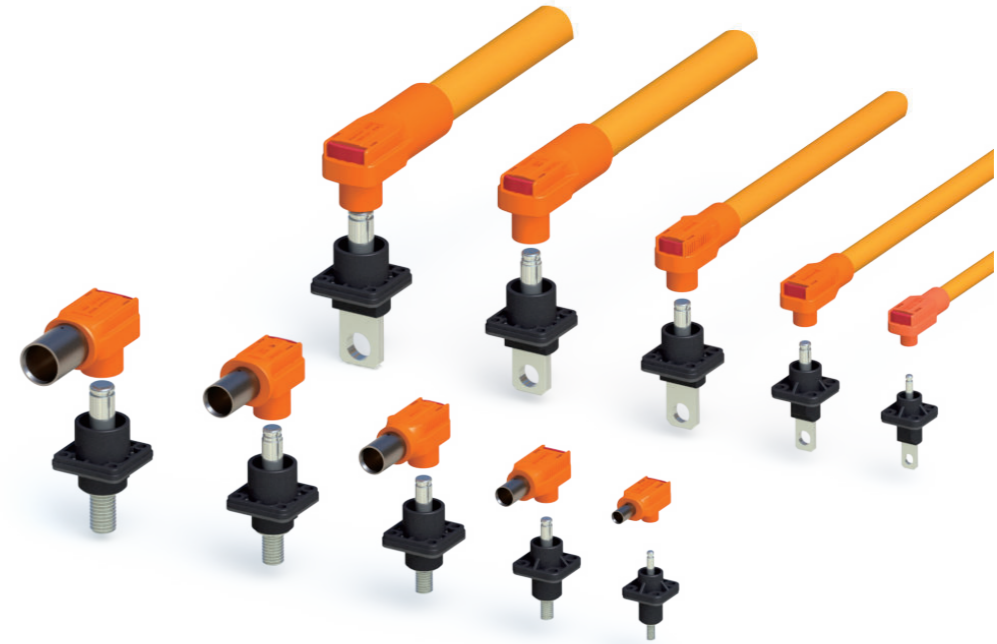
Add: 482 Mariposa Road Building A,85621

Website: www.tpil.com

October 2023, Rev.A



RADLOK™ CONNECTOR



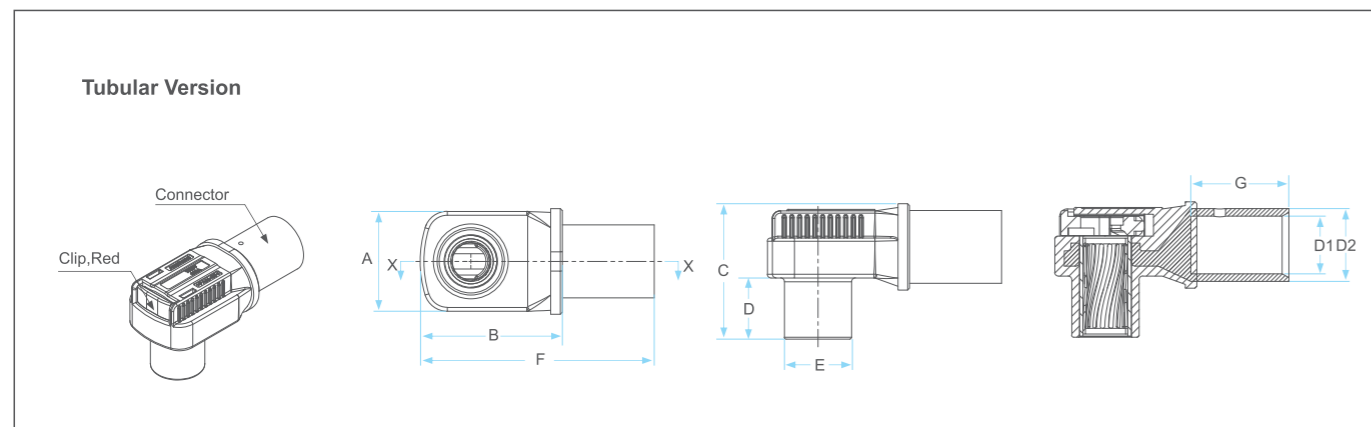
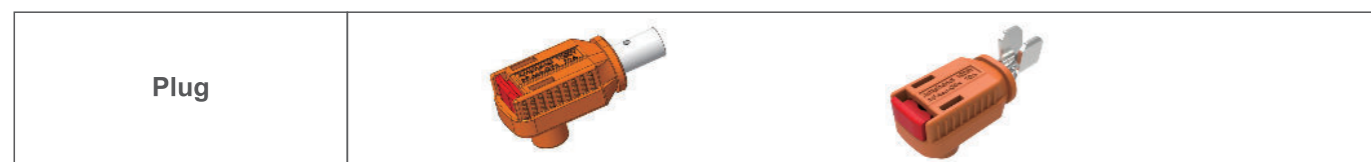
Description

RADLOK™ is a 1000V low cost tool free power interconnect utilizing RADSOK® contact technology available with current ratings from 70A to 500A. RADLOK™ is designed for energy storage, battery, and device power interconnects. RADLOK's quick connect and single finger press to release lock function replaces tools and hardware associated with standard lug terminals in their assembly and maintenance. Mating pins and receptacles available for bus bar and panel mount configurations with lug, thread, or mating RADLOK™ pin terminations. Available in orange, red, and black as discrete connectors or as molded cable assemblies.

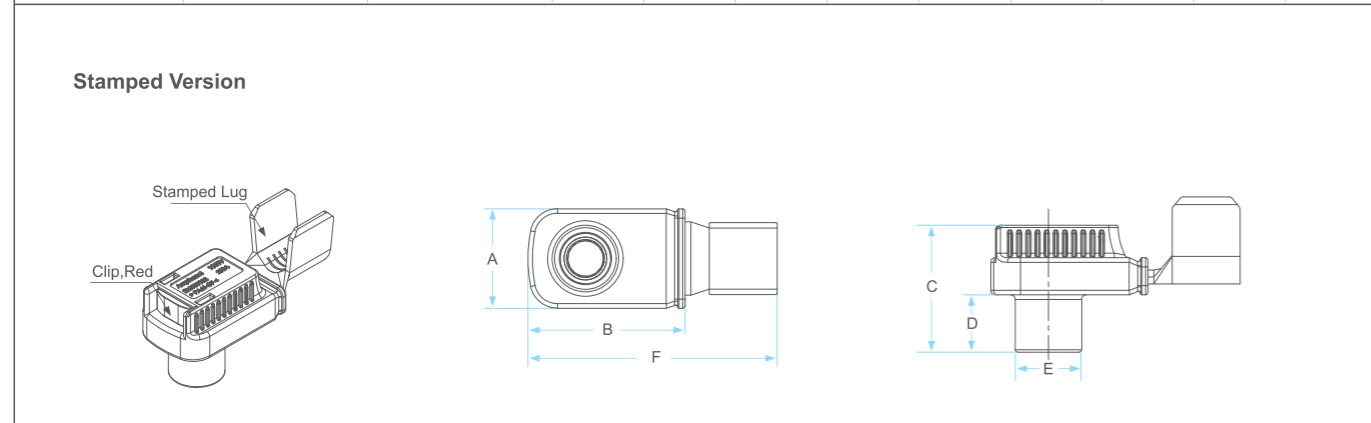
Key Features

- Mating Cycle: 100Min
- Current Rating: 70A-500A
- Operating Voltage: 1000VDC
- Temperature Range: -40°C~+125°C
- Available in 3.6mm, 5.7mm, 8.0mm, 10.0mm, 12.0mm, 14.0mm pin size
- Inflammability: UL94V-0
- Tool-Free Mechanical Locking
- RoHS compliant
- Available in black, red, orange (contact us for customized color)

RADLOK™ Plug



RADSOK® Size(mm)	Recommended Cable Size(mm ²)	Current(A)	Tubular Lug Version Dimensions(mm)									
			A	B	C	D	E	F	G	D1	D2	
3.6	10	70	15.5	27.0	18.3	7.3	8.1	38.0	11.0	5.0	6.7	
5.7	16	90	18.5	33.0	23.8	9.4	11.5	47.7	19.0	5.5	8.5	
	25	120						47.7	19.0	7.2	9.5	
8.0	35	150	21.7	39.6	27.7	11.8	14.6	56.0	22.0	9.2	11.5	
	50	200						58.0	24.0	11.0	14.2	
10.0	70	250	25.7	37.0	35.3	15.9	17.5	58.9	22.0	11.0	13.9	
	95	300						60.9	24.0	12.0	15.5	
	120	400						60.9	25.5	15.0	19.0	
12.0	120	400	33.0	44.5	37.2	15.0	20.0	70.5	28.0	17.0	21.2	
	135	450										
14.0	135	450	42.0	55.0	48.5	22.3	23.0	80.0	28.0	18.2	23.5	
	150	500										28.0



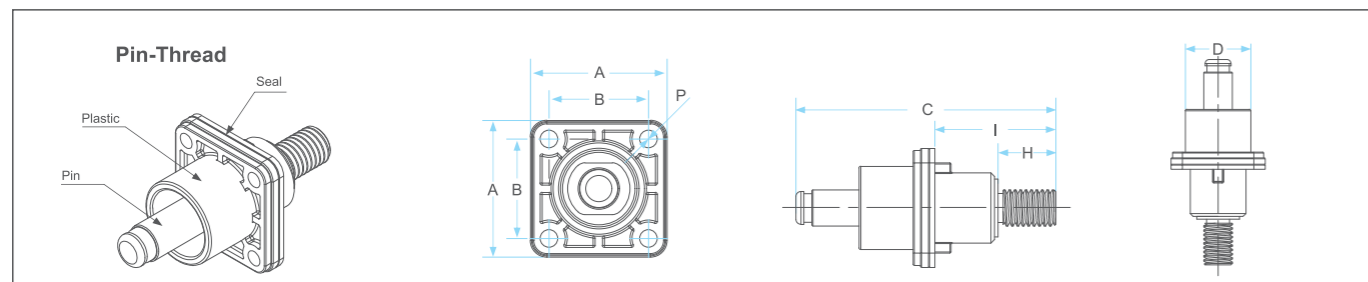
RADSOK® Size(mm)	Recommended Cable Size(mm ²)	Current(A)	Tubular Lug Version Dimensions(mm)					
			A	B	C	D	E	F
3.6	10	70	15.5	27.0	18.0	7.3	8.1	38.8
5.7	16	90	18.5	30.0	21.9	9.2	11.2	43.6
	25	120						
8.0	35	150	21.7	34.3	27.7	12.5	14.5	50.1
	50	200						54.4
10.0	50	200	25.7	35.7	33.8	16.6	17.0	62.0
	70	250						
	95	300						
12.0	120	400	28.5	44.5	33.8	15.0	20.0	70.3
	120	400						

Ordering Information-RADLOK™ Plug

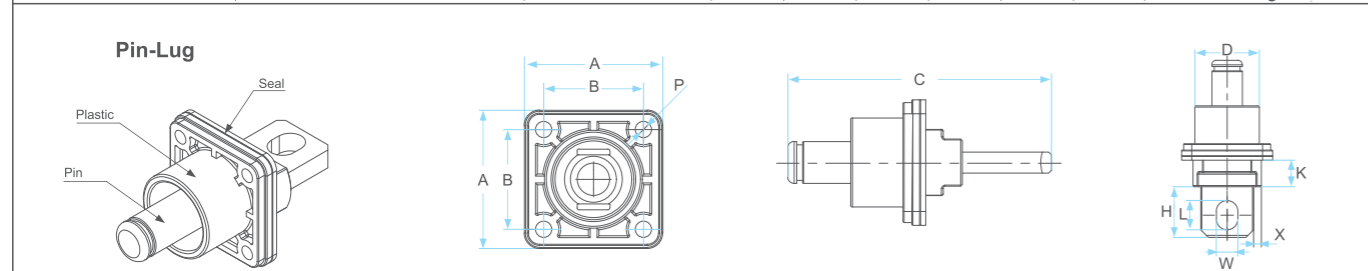
Product Type	Termination Type	RADSOK® Size	Lug Type	Cable Size(mm) / Current	Connector Color
RADLOK™	0	RADLOK™ Plug	1-Tubular 2-Stamped	10	70A
				16	90A
				25	120A
				35	150A
				50	200A
				35	150A
				50	200A
				70	250A
				95	300A
				120	400A
135	450A				
150	500A				

Tubular Lug Version		Stamped Lug Version		Selection Description
Description	Part Number	Description	Part Number	
RL00361-10OR	AC-HA000222	RL00362-10OR	AC-HA002440	3.6mm Pin, 10mm ² Cable, 70A, ORANGE
RL00571-16OR	AC-HA000223	RL00572-16OR	AC-HA007996	5.7mm Pin, 16mm ² Cable, 90A, ORANGE
RL00571-25OR	AC-HA000224	RL00572-25OR	AC-HA002441	5.7mm Pin, 25mm ² Cable, 120A, ORANGE
RL00801-35OR	AC-HA000225	RL00802-35OR	AC-HA002442	8.0mm Pin, 35mm ² Cable, 150A, ORANGE
RL00801-50OR	AC-HA000226	RL00802-50OR	AC-HA002443	8.0mm Pin, 50mm ² Cable, 200A, ORANGE
RL01001-50OR	AC-HA000229	-	-	10.0mm Pin, 50mm ² Cable, 200A, ORANGE
RL01001-70OR	AC-HA000230	RL01002-70OR	AC-HA006613	10.0mm Pin, 70mm ² Cable, 250A, ORANGE
RL01001-95OR	AC-HA000231	RL01002-95OR	AC-HA002444	10.0mm Pin, 95mm ² Cable, 300A, ORANGE
RL01201-120OR	AC-HA000232	RL01202-120OR	AC-HA002445	12.0mm Pin, 120mm ² Cable, 400A, ORANGE
RL01401-135OR	AC-HA004330	-	-	14.0mm Pin, 135mm ² Cable, 450A, ORANGE
RL01401-150OR	AC-HA000233	-	-	14.0mm Pin, 150mm ² Cable, 500A, ORANGE
RL00361-10RE	AC-HA000422	RL00362-10RE	AC-HA007995	3.6mm Pin, 10mm ² Cable, 70A, RED
RL00571-16RE	AC-HA000423	RL00572-16RE	AC-HA003618	5.7mm Pin, 16mm ² Cable, 90A, RED
RL00571-25RE	AC-HA000424	RL00572-25RE	AC-HA003526	5.7mm Pin, 25mm ² Cable, 120A, RED
RL00801-35RE	AC-HA000425	RL00802-35RE	AC-HA007557	8.0mm Pin, 35mm ² Cable, 150A, RED
RL00801-50RE	AC-HA000426	RL00802-50RE	AC-HA007555	8.0mm Pin, 50mm ² Cable, 200A, RED
RL01001-50RE	AC-HA000429	-	-	10.0mm Pin, 50mm ² Cable, 200A, RED
RL01001-70RE	AC-HA000430	RL01002-70RE	AC-HA008002	10.0mm Pin, 70mm ² Cable, 250A, RED
RL01001-95RE	AC-HA000431	RL01002-95RE	AC-HA008004	10.0mm Pin, 95mm ² Cable, 300A, RED
RL01201-120RE	AC-HA000432	RL01202-120RE	AC-HA008006	12.0mm Pin, 120mm ² Cable, 400A, RED
RL01401-135RE	AC-HA004332	-	-	14.0mm Pin, 135mm ² Cable, 450A, RED
RL01401-150RE	AC-HA000433	-	-	14.0mm Pin, 150mm ² Cable, 500A, RED
RL00361-10BK	AC-HA000272	RL00362-10BK	AC-HA007994	3.6mm Pin, 10mm ² Cable, 70A, BLACK
RL00571-16BK	AC-HA000273	RL00572-16BK	AC-HA003619	5.7mm Pin, 16mm ² Cable, 90A, BLACK
RL00571-25BK	AC-HA000274	RL00572-25BK	AC-HA003527	5.7mm Pin, 25mm ² Cable, 120A, BLACK
RL00801-35BK	AC-HA000275	RL00802-35BK	AC-HA007556	8.0mm Pin, 35mm ² Cable, 150A, BLACK
RL00801-50BK	AC-HA000276	RL00802-50BK	AC-HA007554	8.0mm Pin, 50mm ² Cable, 210A, BLACK
RL01001-50BK	AC-HA000279	-	-	10.0mm Pin, 50mm ² Cable, 200A, BLACK
RL01001-70BK	AC-HA000280	RL01002-70BK	AC-HA008001	10.0mm Pin, 70mm ² Cable, 250A, BLACK
RL01001-95BK	AC-HA000281	RL01002-95BK	AC-HA008003	10.0mm Pin, 95mm ² Cable, 300A, BLACK
RL01201-120BK	AC-HA000282	RL01202-120BK	AC-HA008005	12.0mm Pin, 120mm ² Cable, 400A, BLACK
RL01401-135BK	AC-HA004331	-	-	14.0mm Pin, 135mm ² Cable, 450A, BLACK
RL01401-150BK	AC-HA000283	-	-	14.0mm Pin, 150mm ² Cable, 500A, BLACK

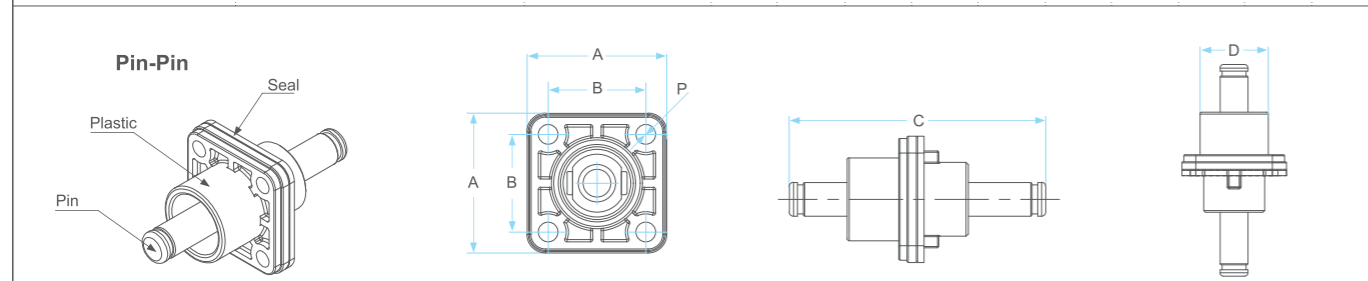
RADLOK™ Receptacle



Pin End	RADSOK® Size(mm)	Current(A)	Pin-Thread Dimensions(mm)								
			A	B	C	D	H	I	Thread	P	
Pin-Thread	3.6	70	21.0	14.0	43.9	11.9	8	22.2	M4*0.7-6g	M3	
	5.7	120	25.0	17.0	49.6	15.2	10	24.2	M6*1.0-6g	M4	
	8.0	200	30.0	21.0	56.4	19.6	12	25.0	M8*1.25-6g		
	10.0	300	33.0	24.0	67.0	23.0	16	29.0	M10*1.5-6g		
	12.0	400	36.0	26.0	72.0	25.5	20	33.0	M12*1.75-6g		
	14.0	500	37.0	27.0	83.0	28.0	23	36.0	M12*1.75-6g		



Pin End	RADSOK® Size(mm)	Current(A)	Pin-Lug Dimensions(mm)									
			A	B	C	D	H	L	W	X	K	P
Pin-Lug	3.6	70	21.0	14.0	46.7	11.9	13.5	5.0	4.2	1.9	11.3	M3
	5.7	120	25.0	17.0	53.6	15.2	16.0	7.0	6.3	2.0	12.0	M4
	8.0	200	30.0	21.0	62.5	19.6	22.5	10.0	8.5	2.7	8.0	
	10.0	300	33.0	24.0	70.0	23.0	22.5	12.5	10.5	3.55	9.5	
	12.0	400	36.0	26.0	77.5	25.5	27.5	14.0	13.0	3.0	10.5	
	14.0	500	37.0	27.0	90.0	28.0	29.0	15.5	14.5	2.3	13.0	



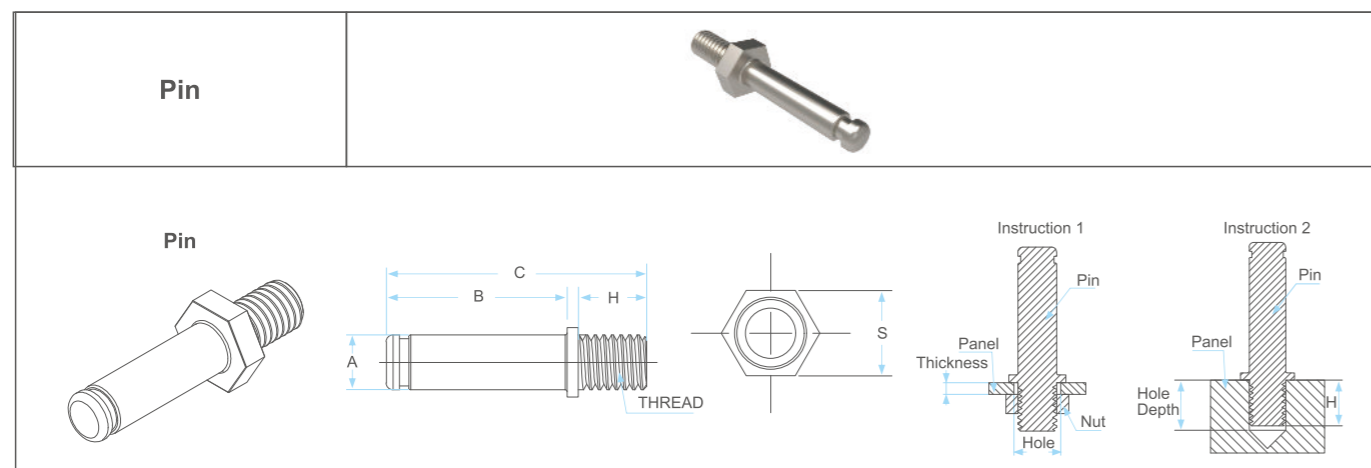
Pin End	RADSOK® Size(mm)	Current(A)	Pin-Pin Dimensions(mm)				
			A	B	C	D	P
Pin-Pin	3.6	70	21.0	14.0	41.3	11.9	M3
	5.7	120	25.0	17.0	50.0	15.2	M4
	8.0	200	30.0	21.0	60.8	19.6	
	10.0	300	33.0	24.0	74.5	23.0	
	12.0	400	36.0	26.0	78.0	25.5	
	14.0	500	37.0	27.0	96.0	28.0	

Ordering Information-RADLOK™ Receptacle

Product Type	Termination Type	RADSOK® Size	Pin End	Plating Type	Receptacle Type	Connector Color
RADLOK™	9 RADLOK™ Receptacle	036 057 080 100 120 140	3.6mm 5.7mm 8.0mm 10.0mm 12.0mm 14.0mm	10: Thread 20: Lug 30: Pin	1: Silver F1: Feed Thru Pin	BK: Black OR: Orange RE: Red

Pin-Thread		Pin-Lug		Pin-Pin		Product Description
Description	Part Number	Description	Part Number	Description	Part Number	
RL9036-101-F1BK	AC-HA000375	RL9036-201-F1BK	AC-HA000385	RL9036-301-F1BK	AC-HA000395	3.6mm Pin, SILVER PLATING, BLACK
RL9057-101-F1BK	AC-HA000377	RL9057-201-F1BK	AC-HA000387	RL9057-301-F1BK	AC-HA000397	5.7mm Pin, SILVER PLATING, BLACK
RL9080-101-F1BK	AC-HA000378	RL9080-201-F1BK	AC-HA000388	RL9080-301-F1BK	AC-HA000398	8.0mm Pin, SILVER PLATING, BLACK
RL9100-101-F1BK	AC-HA000380	RL9100-201-F1BK	AC-HA000390	RL9100-301-F1BK	AC-HA000400	10.0mm Pin, SILVER PLATING, BLACK
RL9120-101-F1BK	AC-HA000381	RL9120-201-F1BK	AC-HA000391	RL9120-301-F1BK	AC-HA000401	12.0mm Pin, SILVER PLATING, BLACK
RL9140-101-F1BK	AC-HA000382	RL9140-201-F1BK	AC-HA000392	RL9140-301-F1BK	AC-HA000402	14.0mm Pin, SILVER PLATING, BLACK
RL9036-101-F1OR	AC-HA001613	RL9036-201-F1OR	AC-HA001623	RL9036-301-F1OR	AC-HA001633	3.6mm Pin, SILVER PLATING, ORANGE
RL9057-101-F1OR	AC-HA001615	RL9057-201-F1OR	AC-HA001625	RL9057-301-F1OR	AC-HA001635	5.7mm Pin, SILVER PLATING, ORANGE
RL9080-101-F1OR	AC-HA001616	RL9080-201-F1OR	AC-HA001626	RL9080-301-F1OR	AC-HA001636	8.0mm Pin, SILVER PLATING, ORANGE
RL9100-101-F1OR	AC-HA001618	RL9100-201-F1OR	AC-HA001628	RL9100-301-F1OR	AC-HA001638	10.0mm Pin, SILVER PLATING, ORANGE
RL9120-101-F1OR	AC-HA001619	RL9120-201-F1OR	AC-HA001629	RL9120-301-F1OR	AC-HA001639	12.0mm Pin, SILVER PLATING, ORANGE
RL9140-101-F1OR	AC-HA001620	RL9140-201-F1OR	AC-HA001630	RL9140-301-F1OR	AC-HA001640	14.0mm Pin, SILVER PLATING, ORANGE
RL9036-101-F1RE	AC-HA001703	RL9036-201-F1RE	AC-HA001713	RL9036-301-F1RE	AC-HA001723	3.6mm Pin, SILVER PLATING, RED
RL9057-101-F1RE	AC-HA001705	RL9057-201-F1RE	AC-HA001715	RL9057-301-F1RE	AC-HA001725	5.7mm Pin, SILVER PLATING, RED
RL9080-101-F1RE	AC-HA001706	RL9080-201-F1RE	AC-HA001716	RL9080-301-F1RE	AC-HA001726	8.0mm Pin, SILVER PLATING, RED
RL9100-101-F1RE	AC-HA001708	RL9100-201-F1RE	AC-HA001718	RL9100-301-F1RE	AC-HA001728	10.0mm Pin, SILVER PLATING, RED
RL9120-101-F1RE	AC-HA001709	RL9120-201-F1RE	AC-HA001719	RL9120-301-F1RE	AC-HA001729	12.0mm Pin, SILVER PLATING, RED
RL9140-101-F1RE	AC-HA001710	RL9140-201-F1RE	AC-HA001720	RL9140-301-F1RE	AC-HA001730	14.0mm Pin, SILVER PLATING, RED

RADLOK™ Pin



Pin End	RADSOK® Size(mm)	Current(A)	Pin Product Dimensions(mm)							
			A	B	C	H	S	Thickness	Thread	Torque Force
RADLOK™ Pin	3.6	70	3.6	17.5	28.0	8.0	7.0	1.0~2.5	M4*0.7-6g	2.5±0.2
	5.7	120	5.7	21.1	34.1	10.0	10.0	1.0~2.5	M6*1.0-6g	4.0±0.4
	8.0	200	8.0	26.4	42.4	12.0	13.0	1.0~3.5	M8*1.25-6g	7.5±0.5
	10.0	300	10.0	32.2	53.2	16.0	16.0	1.0~4.0	M10*1.5-6g	20.0±1.0
	12.0	400	12.0	32.6	58.6	20.0	18.0	1.0~4.5	M12*1.75-6g	24.0±1.0
	14.0	500	14.0	41.0	72.0	23.0	24.0	1.0~4.5	M12*1.75-6g	24.0±1.0

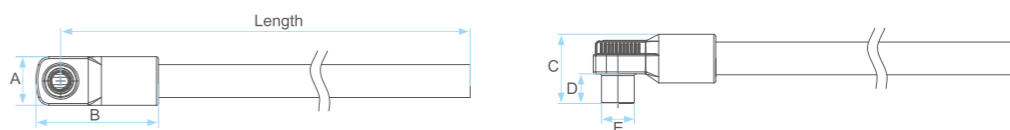
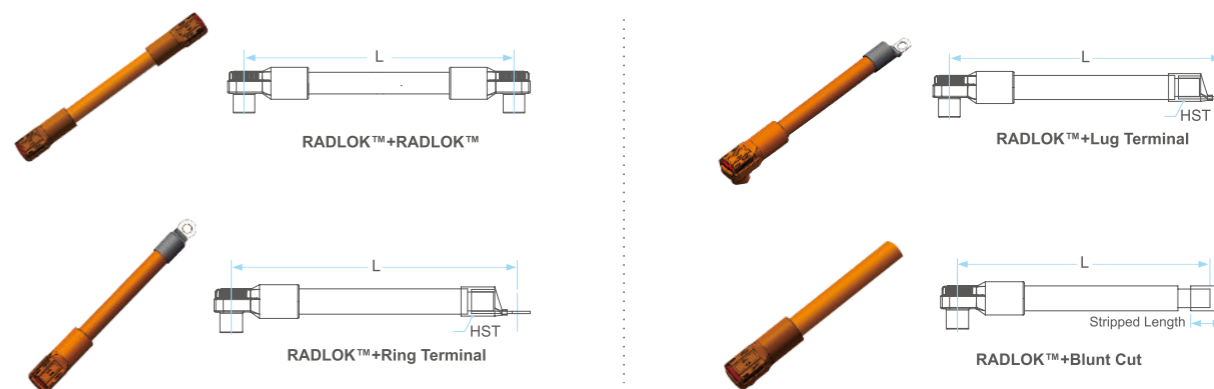
Ordering Information-RADLOK™ Pin

RL 9 036 - 101

Product Type	Termination Type	RADSOK® Size	Plating Type
RADLOK™	9	RADLOK™ Pin	036 3.6mm
			057 5.7mm
			080 8.0mm
			100 10.0mm
			120 12.0mm
		140 14.0mm	101: Silver

Description	Part Number	Product Description
RL9036-101	AC-CP000102	3.6mm Pin,BOLT M4 THREAD,SILVER PLATING
RL9057-101	AC-CP000104	5.7mm Pin,BOLT M6 THREAD,SILVER PLATING
RL9080-101	AC-CP000105	8.0mm Pin,BOLT M8 THREAD,SILVER PLATING
RL9100-101	AC-CP000107	10.0mm Pin,BOLT M10 THREAD,SILVER PLATING
RL9120-101	AC-CP000110	12.0mm Pin,BOLT M12 THREAD,SILVER PLATING
RL9140-101	AC-CP000111	14.0mm Pin,BOLT M12 THREAD,SILVER PLATING

RADLOK™ Cable Assembly



RADSOK® Size(mm)	Recommended Cbl Size(mm²)	Current(A)	Cable Assembly Dimensions(mm)				
			A	B	C	D	E
3.6	10	70	15.5	36.0	18.3	7.3	Φ8.1
5.7	16	90	18.5	47.0	21.9	9.4	Φ11.2
	25	120					
8.0	35	150	21.6	55.3	27.0	11.8	Φ14.6
	50	200					
10.0	50	200	26.0	53.0	33.8	15.9	Φ17.5
	70	250		63.2	34.3		
	95	300		65.5	37.0		
12.0	120	400	28.5	76.0	37.3	15.0	Φ20.0
	135	450					
14.0	150	500	31.0	77.0	46.3	22.3	Φ23.0

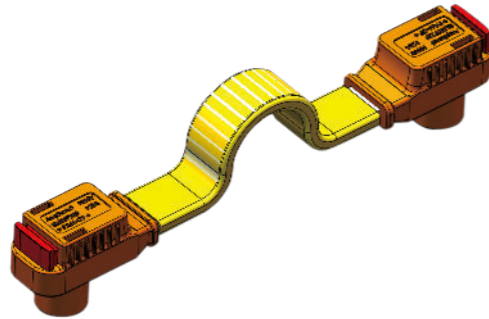
Ordering Information-Cable Assembly

RL 1 080 - 50 - L200 - OR - M8

Product Type	Termination Type	RADSOK® Size	Cable Size (mm²)	Current	Cable Length(mm)	Connector Color	Stud Size	
RADLOK™	1 RADLOK™+RADLOK™	036 3.6mm	10	70A	Min:120	OR: Orange BK: Black RE: Red	N/A	
							M ⁽¹⁾	E ⁽²⁾
	4 RADLOK™+Lug Terminal	057 5.7mm	25	120A	Min:140		6	1/4
							8	5/16
	5 RADLOK™+Ring Terminal	080 8.0mm	50	200A	Min:150		10	3/8
							12	1/2
	6 RADLOK™+Blunt Cut	100 10.0mm	70	250A	Min:170		N/A	
							95	300A
	7 RADLOK™+Striped	120 12.0mm	120	400A	Min:180		N/A	
							135	450A
							150	500A
							Stripped Length(mm)	

Please contact our regional sales for relevant product drawings.

PowerFlex™



Product Description

PowerFlex™ features a high flex, multi-layer laminated structure, specifically engineered for high-current power distribution applications. Integrated with Amphenol's RADSOK® connectors on both extremities, PowerFlex™ is the best solution for power connection in a limited space. PowerFlex™ can be customized to adapt different kinds of applications. Amphenol TPI is always open to propose the right solution for customers worldwide. In case of any inquiry, please contact our sales representatives in your region.

RADLOK™ Connector (Stamped Version)

Drawing	RADSOK® Size(mm)	RADLOK Size(mm)					Dimensions
		W	H	h	D	P	
	3.6	15.5	18.0	7.3	Φ8.10	27.0	Busbar material used is soft laminated copper busbar, customized according to customer requirement.
	5.7	18.5	21.9	9.2	Φ11.2	30.0	
	8.0	21.7	27.7	12.5	Φ14.5	34.3	
	10.0	25.7	33.3	16.1	Φ17.0	35.7	
	12.0	28.5	33.8	15.0	Φ20.0	44.5	
	14.0	31.0	42.5	22.3	Φ23.0	45.0	

⚠ The information contained in this data sheet is for reference only

Amphenol Technical Products International provides the above product specifications for the standard. Specifications are subject to change without notice. Contact your nearest Amphenol Corporation Sales Office for the latest specifications. All statements, information and data given herein are believed to be accurate and reliable but are presented without representation or warranty that any such use is free of patent infringement and are not recommendations to infringe any patent. Specifications are typical and may not apply to all connectors. Note that these specifications are derived from relevant global standards used in the automotive and industrial transportation markets, but they are not a substitute for system level design validation testing, which is the sole responsibility of the system designer and/or end user.